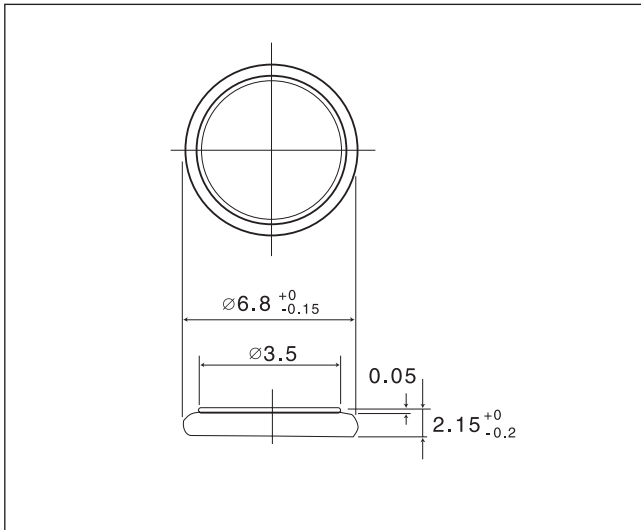


MT621

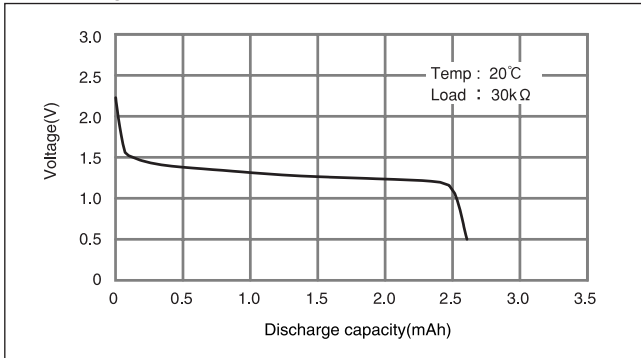
■ Dimensions(mm)



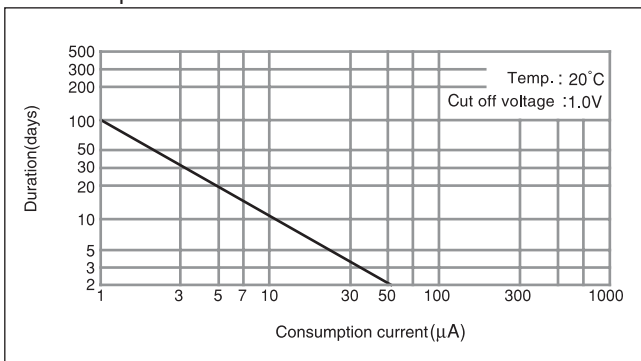
■ Specification

Nominal voltage(V)	1.5
Nominal capacity(mAh)	2.5
Continuous drain(mA)	0.04
Operating temperature(°C)	-10 to +60

■ Discharge characteristics

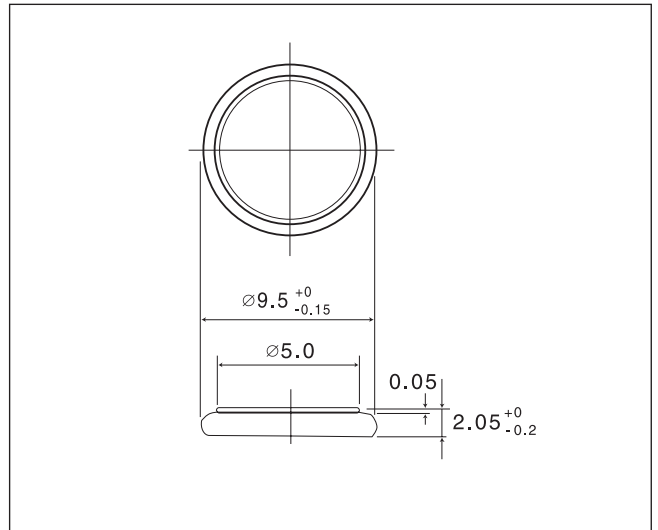


■ Consumption current vs. duration time



MT920

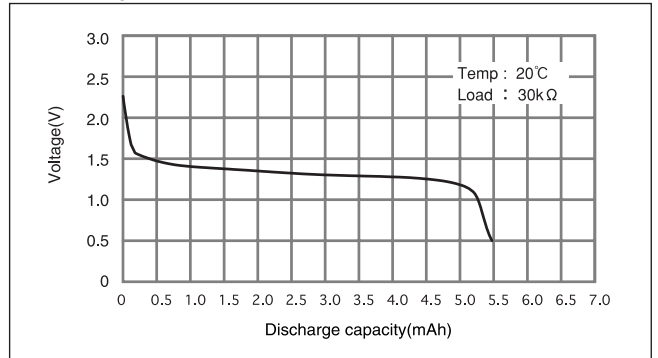
■ Dimensions(mm)



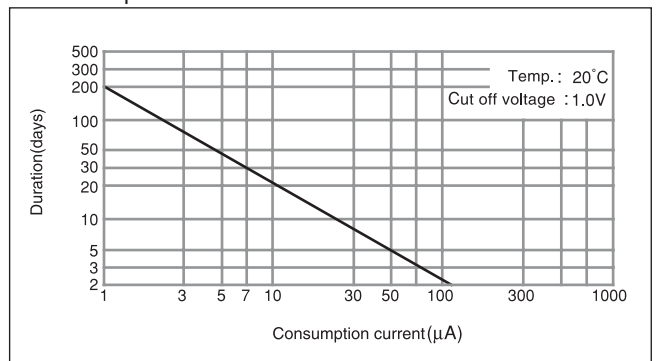
■ Specification

Nominal voltage(V)	1.5
Nominal capacity(mAh)	5.0
Continuous drain(mA)	0.04
Operating temperature(°C)	-10 to +60

■ Discharge characteristics



■ Consumption current vs. duration time



■ Discharge temperature characteristics

